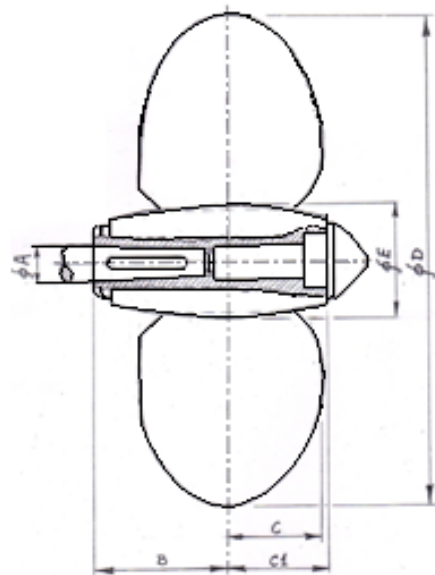
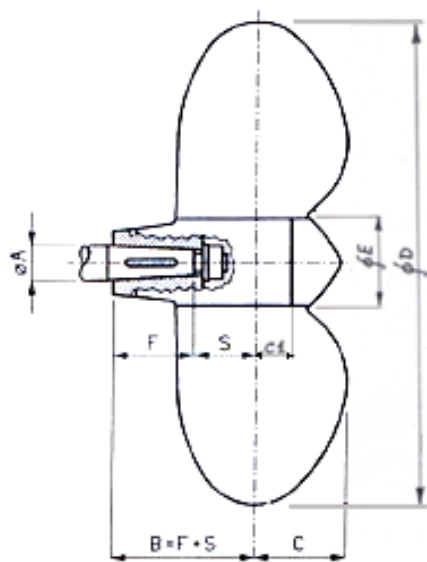


MISURE STANDARD (mm) - STANDARD SIZE (mm)

MODEL	Ø E	Ø A	BLADES	Ø D	B	S	C	C1
CLASSIC	63	20 ÷ 28	2 - 3	300 ÷ 480	-	50	72,5	<C
CLASSIC SD	63	SAIL DRIVE	2 - 3	300 ÷ 460	130	50	72,5	<C
EASY ATTACCO CONICO	90	20 ÷ 30	3 - 4	300 ÷ 560	73	-	72,5	74
EASY SD senza anello zinco prua	90	SAIL DRIVE	3 - 4	300 ÷ 560	68	-	72,5	74
EASY SD con anello zinco prua	90	SAIL DRIVE	3 - 4	300 ÷ 560	87	-	72,5	74
EASY ANTISHOCK SD	90	SAIL DRIVE	3 - 4	300 ÷ 500	88	-	72,5	74
FAST ATTACCO CONICO	90	20 ÷ 30	4	300 ÷ 560	101	-	72,5	74
FAST SD	90	SAIL DRIVE	4	300 ÷ 560	98	-	72,5	74
LOW RPM MAX BIANCHI ANTISHOCK ATTACCO CONICO	90	25 ÷ 30	4	300 ÷ 560	101	-	72,5	89
LOW RPM MAX BIANCHI ANTISHOCK SD	90	SAIL DRIVE	4	300 ÷ 530	103	-	72,5	89
CLASSIC	70	28 ÷ 35	2 - 3	350 ÷ 580	-	55	81	<C
CLASSIC SD	70	SAIL DRIVE	2 - 3	350 ÷ 480	135	55	81	<C
CLASSIC ANTISHOCK SD	70	SAIL DRIVE	2 - 3	350 ÷ 530	150	55	81	<C
EASY	99	32 ÷ 40	3 - 4	380 ÷ 580	78	-	81	78
FAST	99	32 ÷ 40	4	350 ÷ 580	109	-	81	78
LOW RPM MAX BIANCHI ANTISHOCK	99	32 ÷ 35	4	380 ÷ 580	109	-	81	95



MISURE STANDARD (mm) - STANDARD SIZE (mm)

MODEL	Ø E	Ø A	BLADES	Ø D	B	S	C	C1
CLASSIC	83	35 ÷ 45	2 - 3	500 ÷ 660	-	68	94	<C
EASY	110	38 ÷ 45	4	510 ÷ 680	83	-	94	87
FAST	110	38 ÷ 45	4	510 ÷ 660	116	-	94	87
LOW RPM MAX BIANCHI ANTISHOCK	110	38 ÷ 45	4	460 ÷ 630	116	-	94	104
CLASSIC	100	45 ÷ 55	2 - 3	560 ÷ 800	-	80	113	<C
EASY	126	45 ÷ 55	4	560 ÷ 800				
FAST	126	45 ÷ 55	4	560 ÷ 780	128	-	113	
LOW RPM MAX BIANCHI ANTISHOCK	126	45 ÷ 55	4	560 ÷ 800	128	-	113	117
CLASSIC	125	55 ÷ 70	2 - 3	700 ÷ 990	-	99	145	<C
EASY	145	55 ÷ 70	4	700 ÷ 990				
FAST	145	60 ÷ 70	4	660 ÷ 990	140	-	145	104
LOW RPM MAX BIANCHI ANTISHOCK	145	60 ÷ 70	4	700 ÷ 990	140	-	145	130
CLASSIC	160	70 ÷ 80	3	830 ÷ 1100	-	123	175	<C
EASY	164	70 ÷ 80	4	830 ÷ 1100				
FAST	164	70 ÷ 80	4	680 ÷ 1100	155	-	175	113
LOW RPM MAX BIANCHI ANTISHOCK	164	70 ÷ 80	4	830 ÷ 1100	155	-	175	143